

## Active UTP Balun



### Model AB-6010 Features

- Transmits high quality video up to 8000 feet (B/W) and 6000 feet (Color)
- Transmission of video, power and data on one UTP cable
- Auto adjusting for distance on AB-6010-R
- Excellent interference rejection
- Adjustable sync and burst for optimal image quality
- Accepts 24V AC or 12V DC
- Compact and durable aluminum housing.
- Compatible with all VU passive baluns

The AB-6010-T & AB-6010-R UTP transmitter & receiver can transmit high quality video for long distances without interference. In addition to video, you can transmit power to the camera and its control data using one UTP cable.



Transmitter



Receiver

For more information, please contact:

*info@videobaluns.com*  
Tel: (508) 620-1002

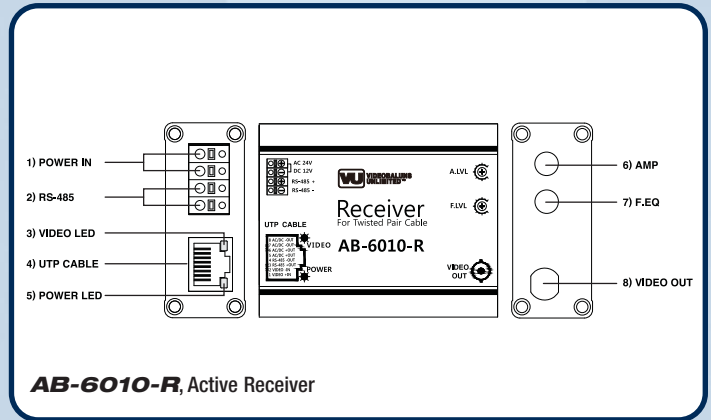
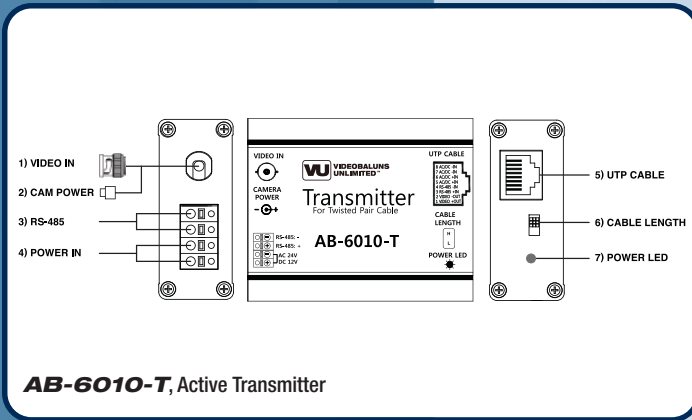
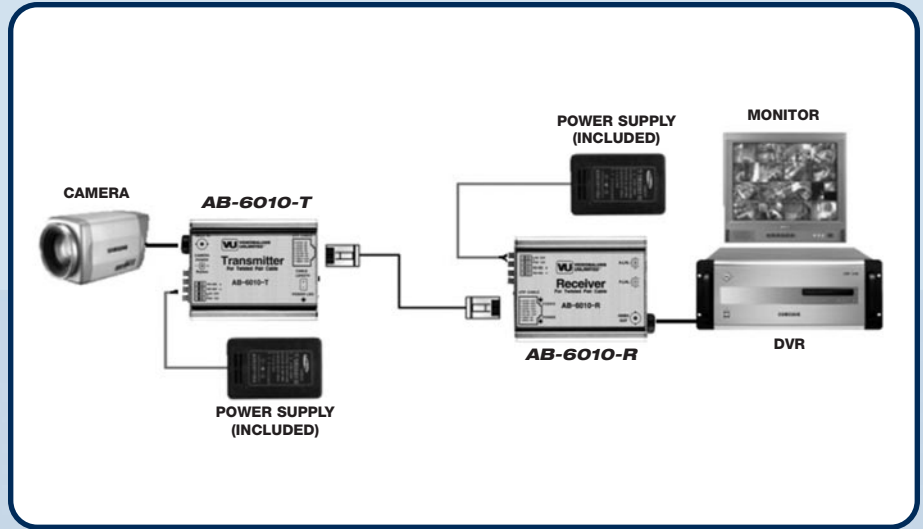
All information provided in this document is the exclusive property of Videobaluns Unlimited and any reproduction of this document or unauthorized use is strictly prohibited without the expressed permission of Videobaluns Unlimited, LLC.

Manufactured exclusively by Videobaluns Unlimited, LLC

Tel: (508) 620-1002

Fax: (508) 620-1004

Email: sales@videobaluns.com



## Specifications

Model	AB-6010-T	AB-6010-R
Video Input	CVBS 1.0Vp-p, 75Ω	Low 51Ω 1Vp-p, High 51Ω 2.5Vp-p
Video Output	Low 51Ω 1Vp-p High 51Ω 2.5Vp-p	CVBS 1.0Vp-p, 75Ω
Power	Input	DC 12V 500mA (Included)
	Output	AC 24V 300mA Loop Through
Bandwidth	DC to 8MHz	DC to 8MHz
Connection Port	Video Input	DC-F & BNC Harness (18 in.)
	Video Output DATA	RJ-45 DATA: 4P Terminal Block (1-2:DATA/ 3-4: POWER)
Temperature /Humidity	-18°F ~ +120°F / 0 ~ 80%	-18°F ~ +120°F / 0 ~ 80%
Material / Weight	Aluminum / 4.2 ounces	Aluminum/ 4.2 ounces
Dimension	3.0(W) x 2 3/8(H) x 1.0(D) in.	3.0(W) x 2 3/8(H) x 1.0(D) in.

**Distributor Inquiries Welcome,**

Tel: 508-620-1002, Fax: 508-620-1004 and E-mail: info@videobaluns.com